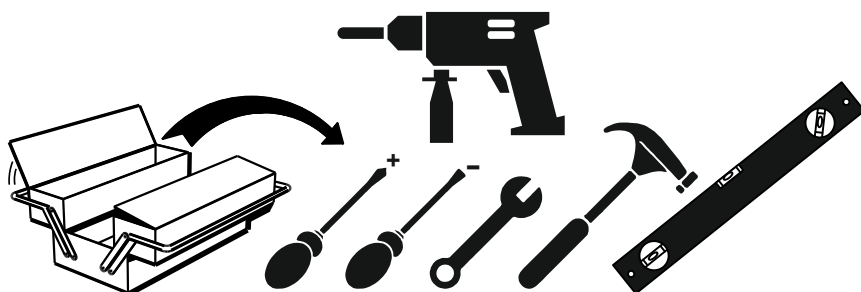
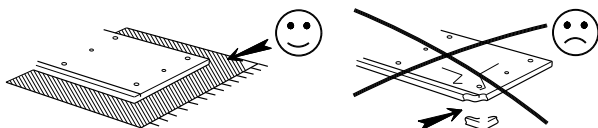
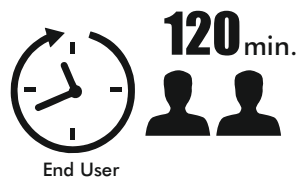
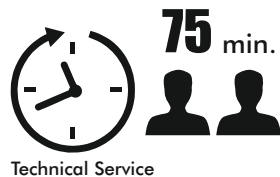
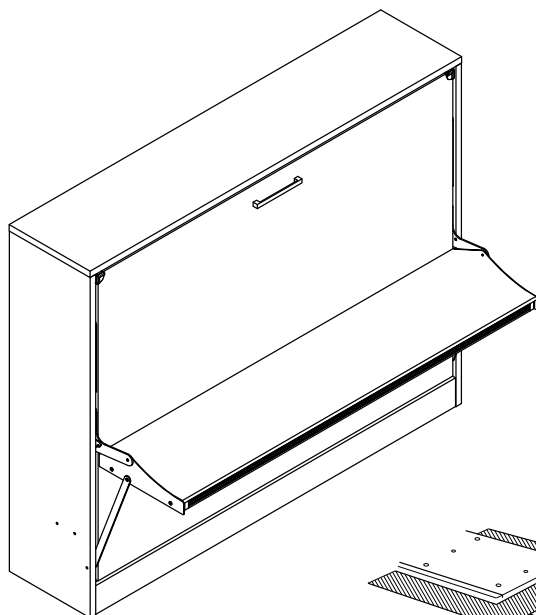


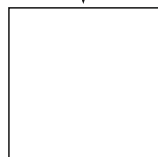


MULTIMO

1123 - COUPLE 1121D- LIFE OPTIONEL DESK



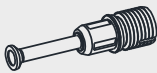



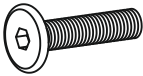
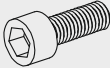


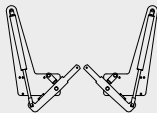

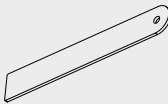


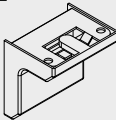
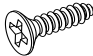
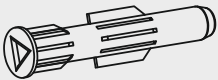

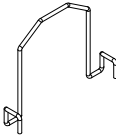
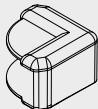
VIDEO



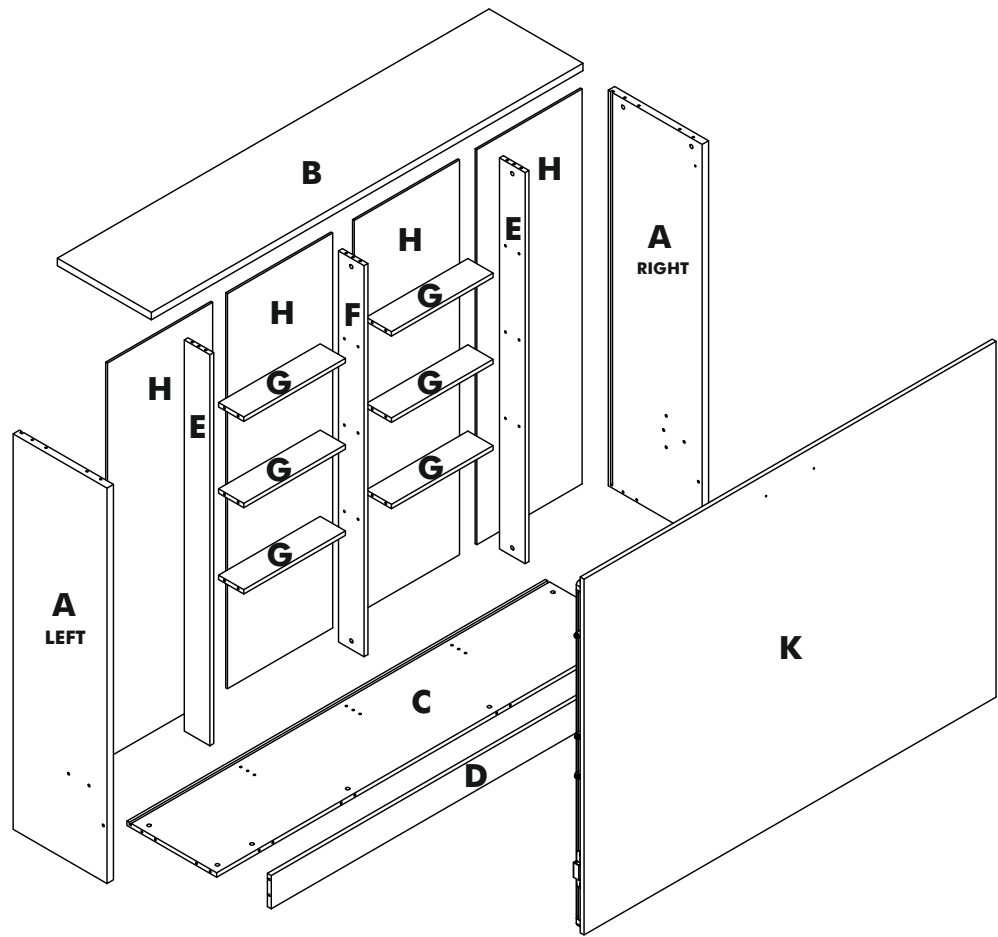
link

Track Title	Piece	(inch)			(mm)			
		Thickness	Length	Width	Piece	Thick	Height	Most
A-R / A-L	2	1,18	63,15	17,32	2	30	1604	440
B	1	1,18	79,61	17,36	1	30	2022	441
C	1	0,71	77,17	16,54	1	18	1960	420
D	1	0,71	77,17	5,31	1	18	1960	135
E-R / E-L	2	0,71	62,44	4,72	2	18	1586	120
F	1	0,71	62,44	4,72	1	18	1586	120
G	6	0,71	18,74	4,65	6	18	476	118
H	4	0,31	63,07	19,41	4	8	1602	493
K	1	0,71	75,98	56,81	1	18	1930	1443

Accessories List

MNX 02  18 / piece CT - 01 (6x40) mm	MNG - 01  18 / piece IM - 01 (6x30) mm	KVL 01  52 / piece OT-054	TAP - 01  18 / piece VD - 02 (3,5x25) mm
 2 / piece MKZ - 02	 4 / piece VKP - 01 (22) mm	 2 / piece SC-61	 24 / piece AVT - 01
 1 / piece 1000 N VD - 01(6X70) mm	 2 / piece DSE - 02	 2 / piece VD - 03 (3,5x18) mm	 12 / piece DD - 01 (R10)
 2 / piece KP - 01 (224) mm	 2 / piece TTC 01	 4 / piece KKS - 01	 2 / piece
 1 / piece	 4 / piece	 2 / piece	

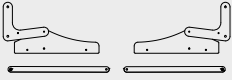
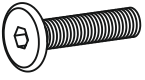
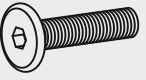
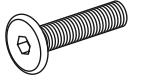
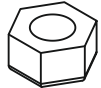


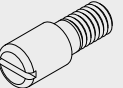
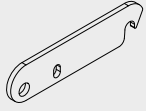

1123 - COUPLE

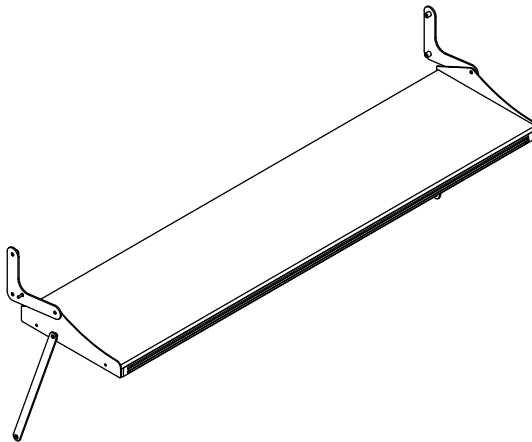


1121D- LIFE OPTIONEL DESK

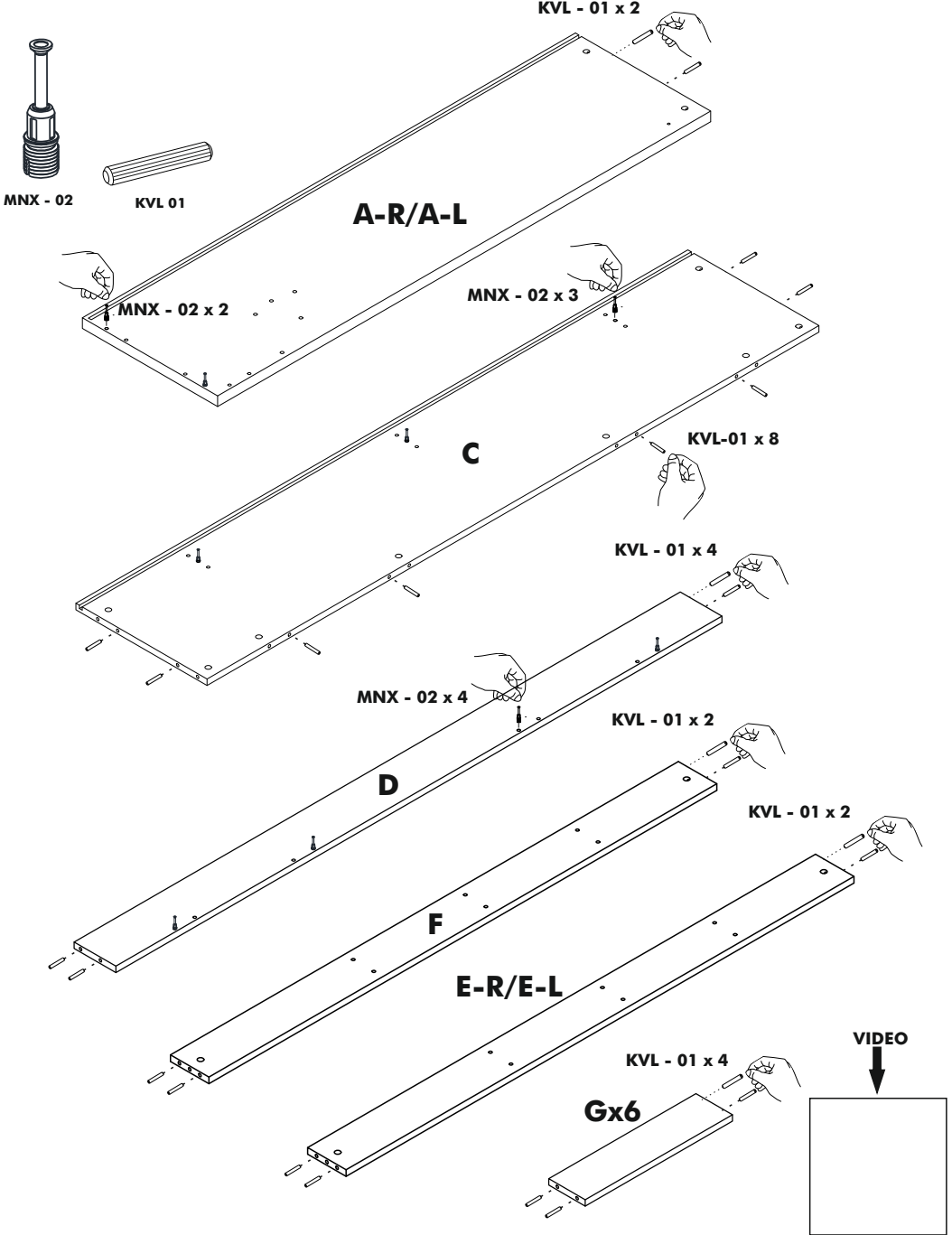
Track Title	Piece	(inch)			(mm)			
		Thickness	Length	Width	Piece	Thick	Height	Most
DESK	1	0,71	75,75	17,72	1	18	1924	450

Accessories List

SC-132  1 / piece	CT - 02 (6x30) mm  2 / piece	CT - 01 (6x40) mm  4 / piece	CT - 04 (6x20) mm  2 / piece
SN - 01 (M6)  5 / piece	OT-006  3 / piece	SG - 01  2 / piece	OT-076  1 / piece
PLK-07  1 / piece	PL - 01 (6x19x1) mm  4 / piece		



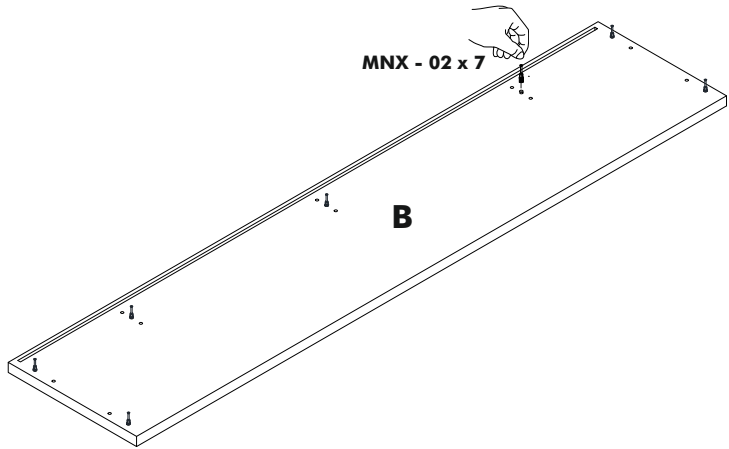
STEP 1



STEP 2



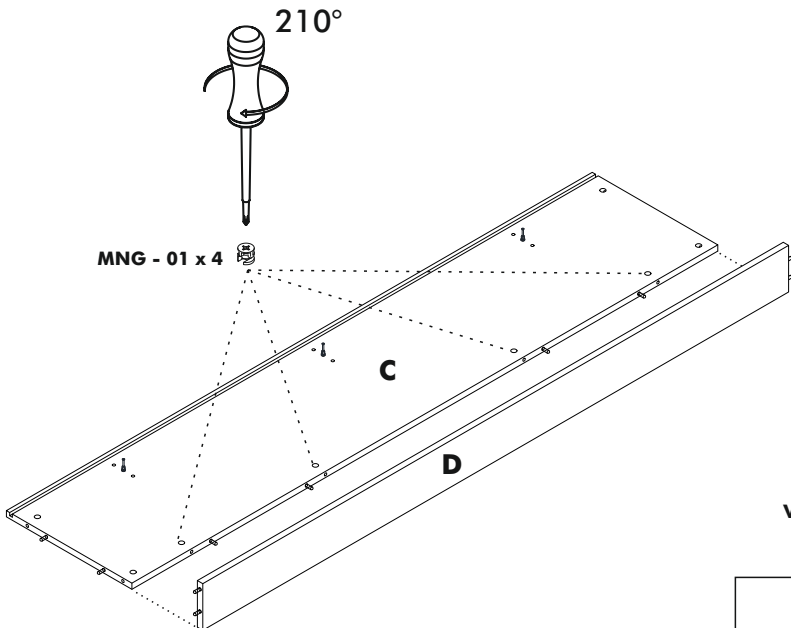
MNX - 02



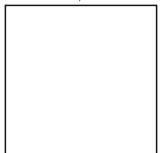
STEP 3



MNG - 01

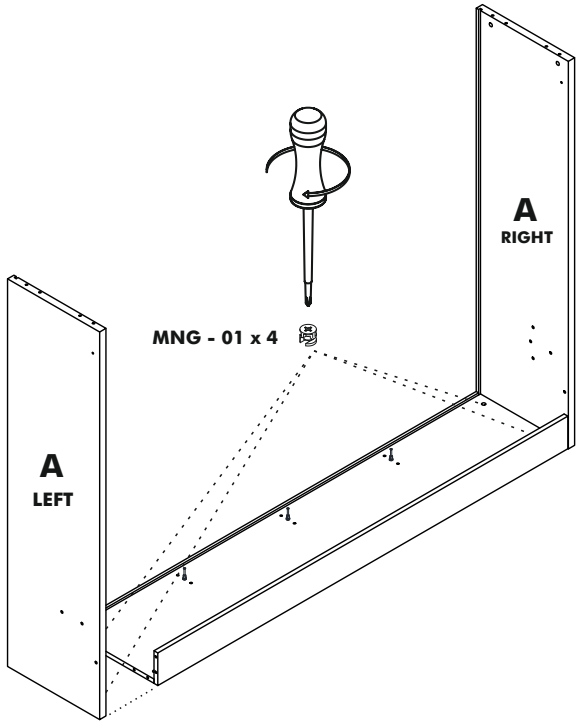


VIDEO

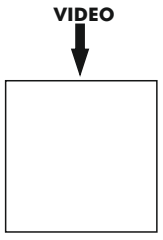
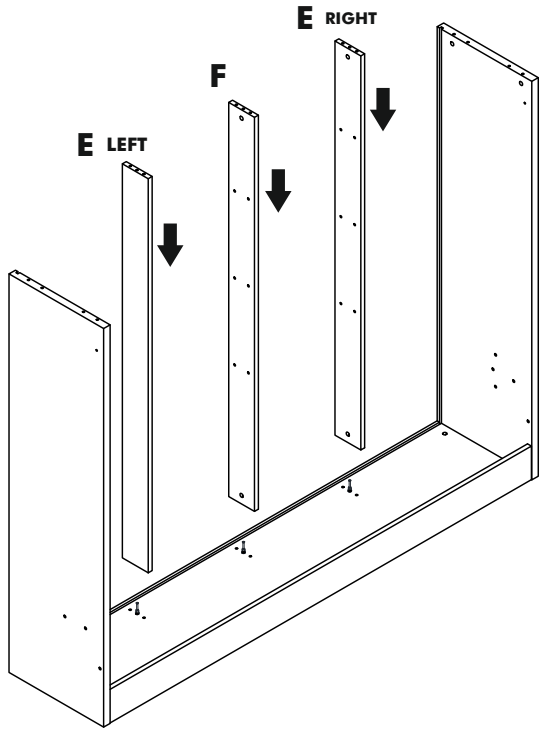


link

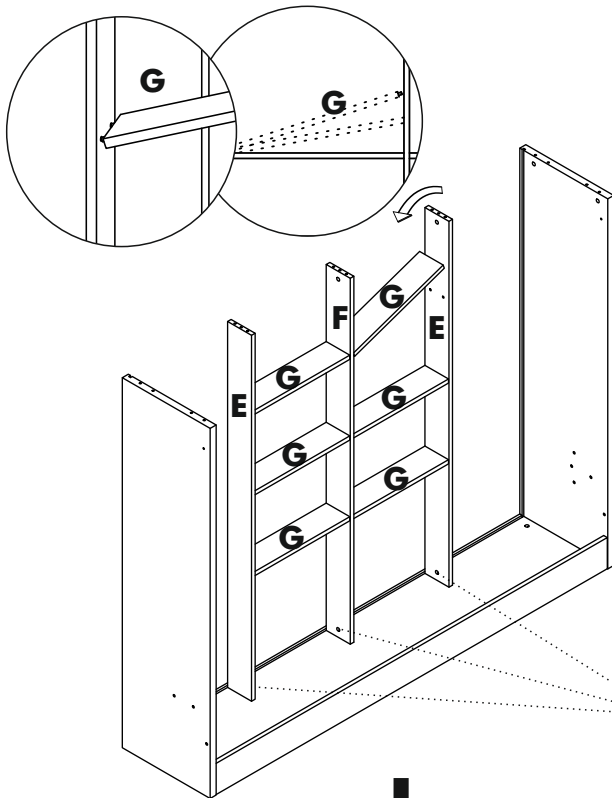
STEP 4



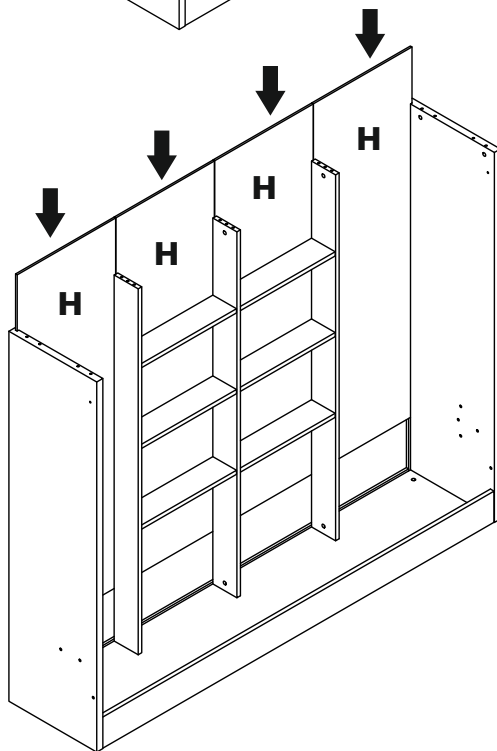
STEP 5



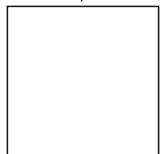
STEP 6



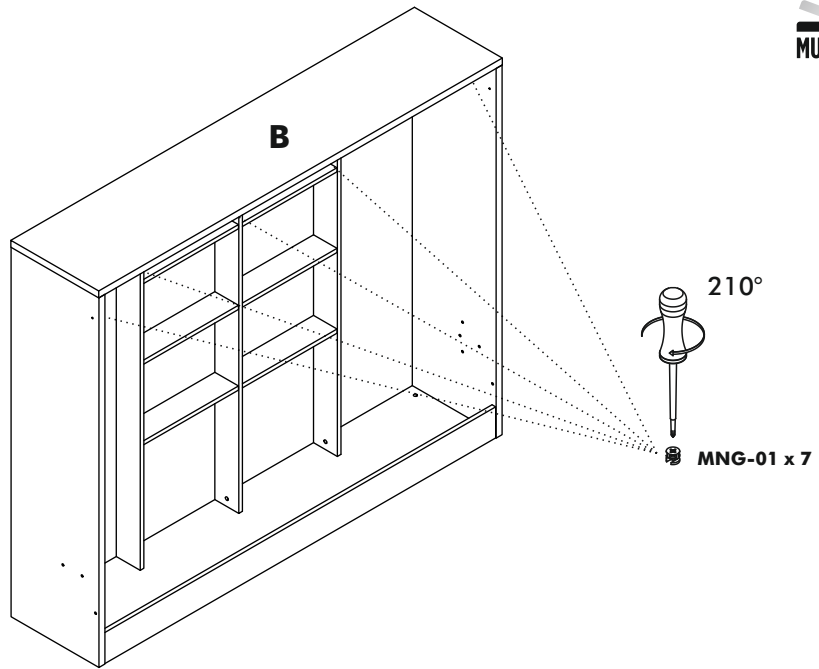
STEP 7



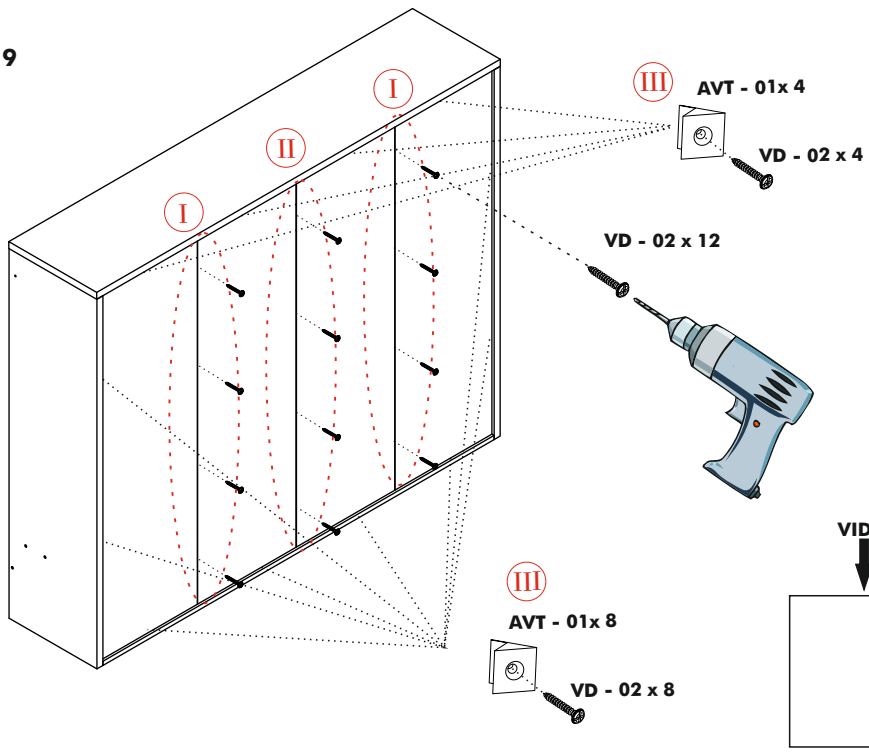
VIDEO



STEP 8



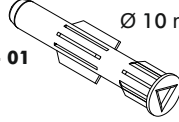
STEP 9



STEP 10

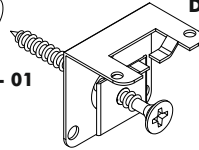


DD - 01

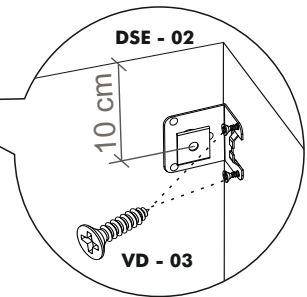
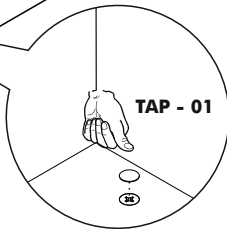
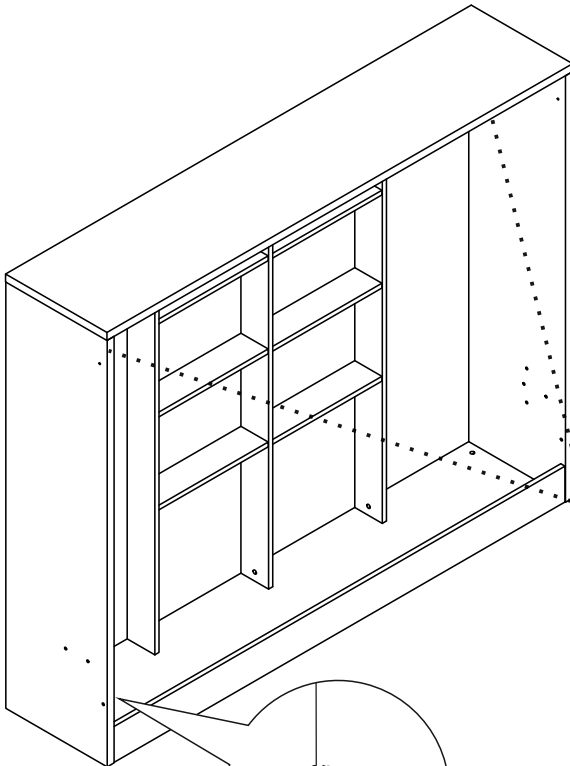
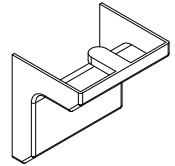


Ø 10 mm / 0,254 inch

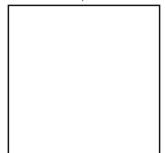
VD - 01



DSE - 02

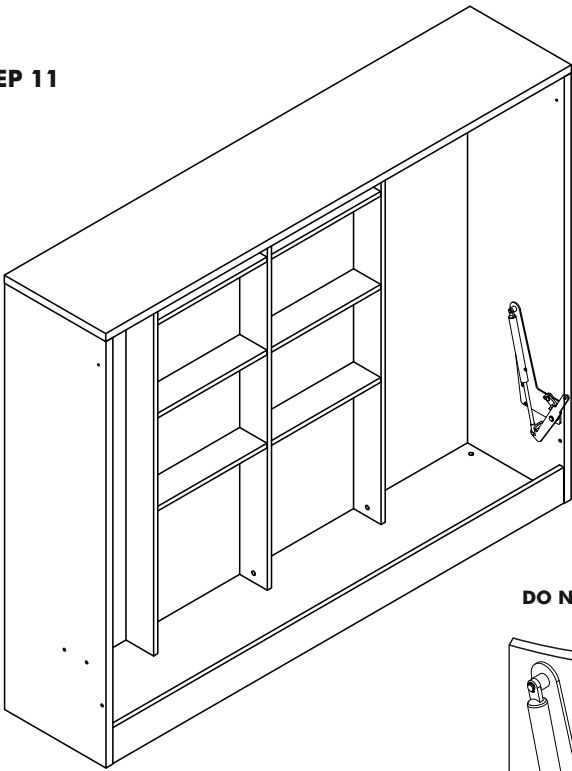


VIDEO

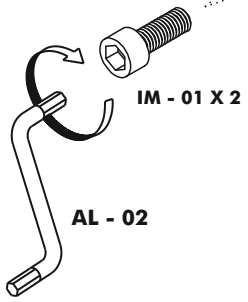
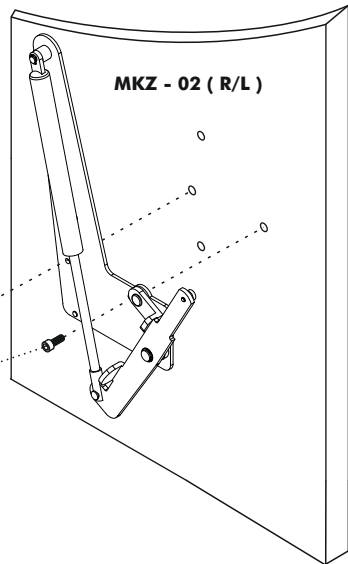


link

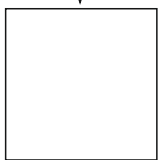
STEP 11



CAUTION
DO NOT UNLOCK BEFORE INSTALL



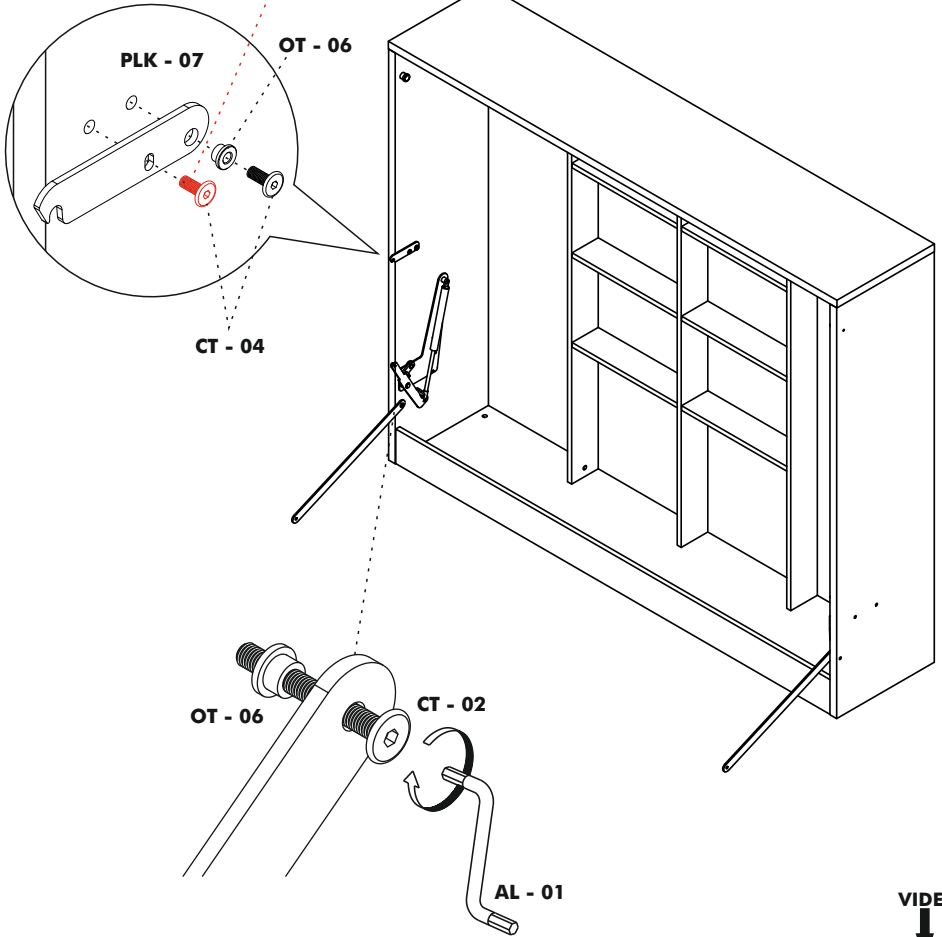
VIDEO



link

STEP 12

**PKL-07 NİN HAREKETİNE İZİN VER
ALLOW PKL-07 TO MOVE**

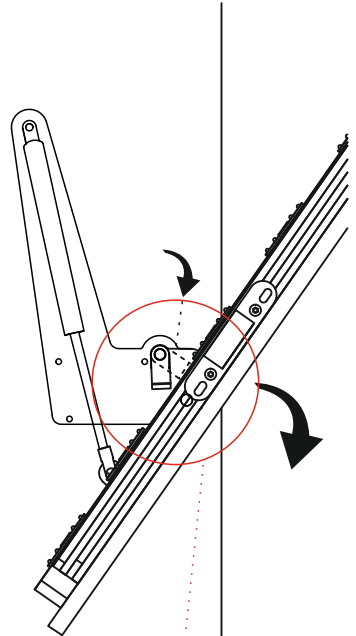
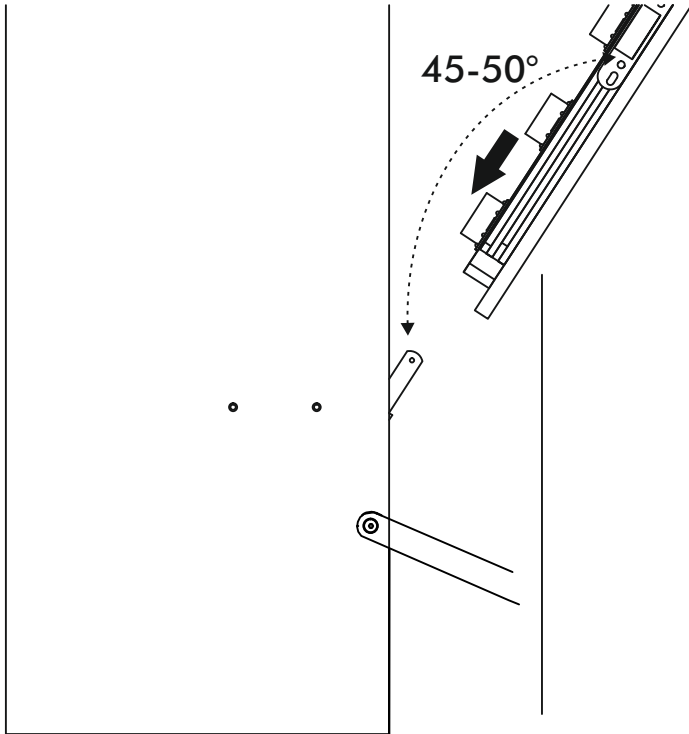


VIDEO

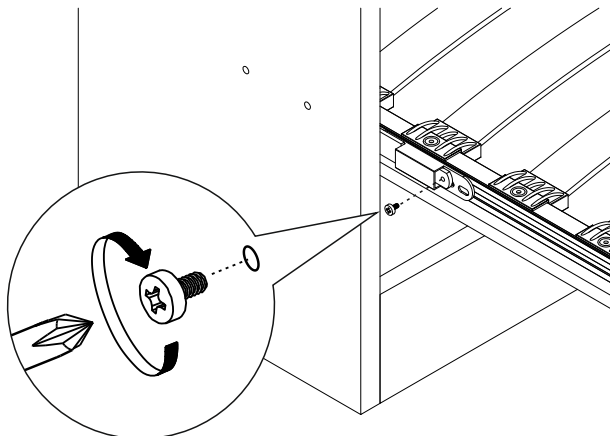
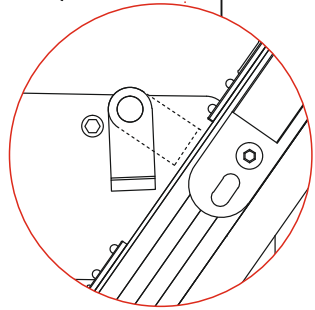


link

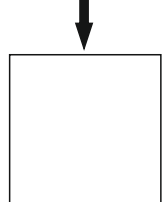
STEP 13



**KAPAK KAPATILMADAN KİLİDİ İNDİRİN !!!
LET THE STOPPER LOCK MOVE DOWN !!!**

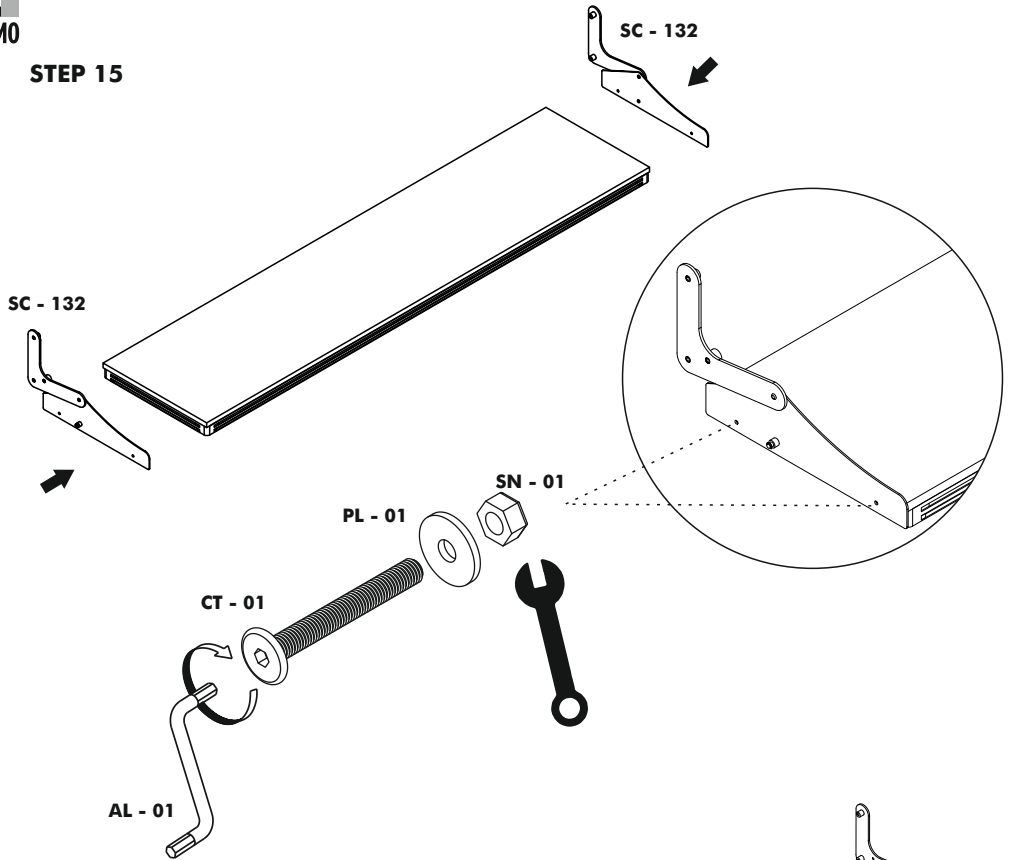


VIDEO

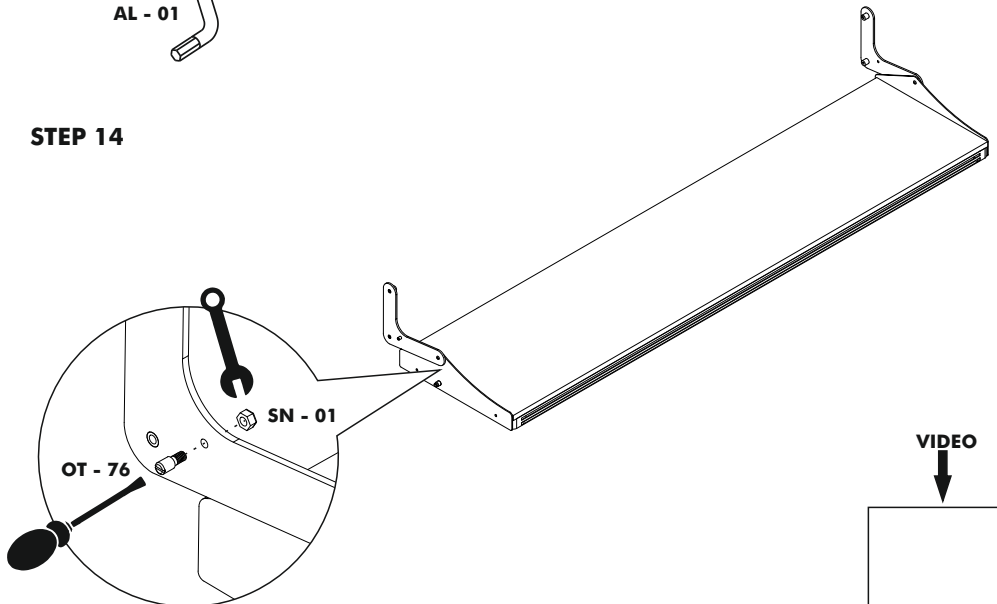


link

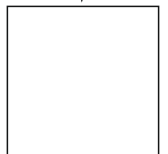
STEP 15



STEP 14

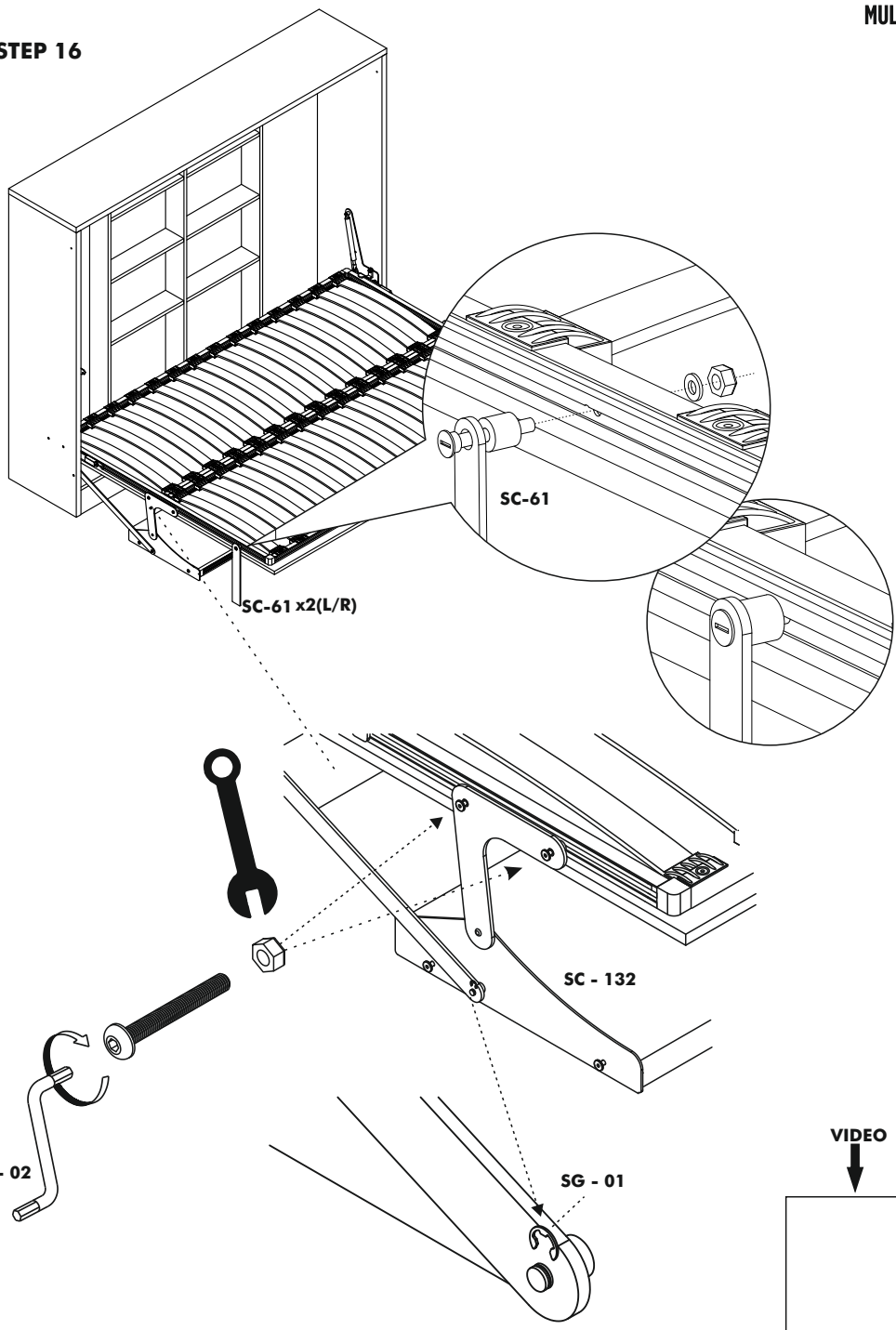


VIDEO

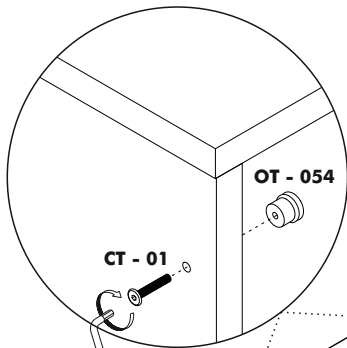


link

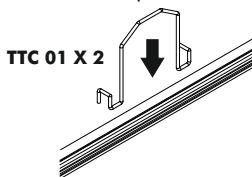
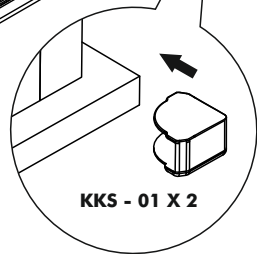
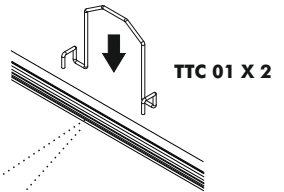
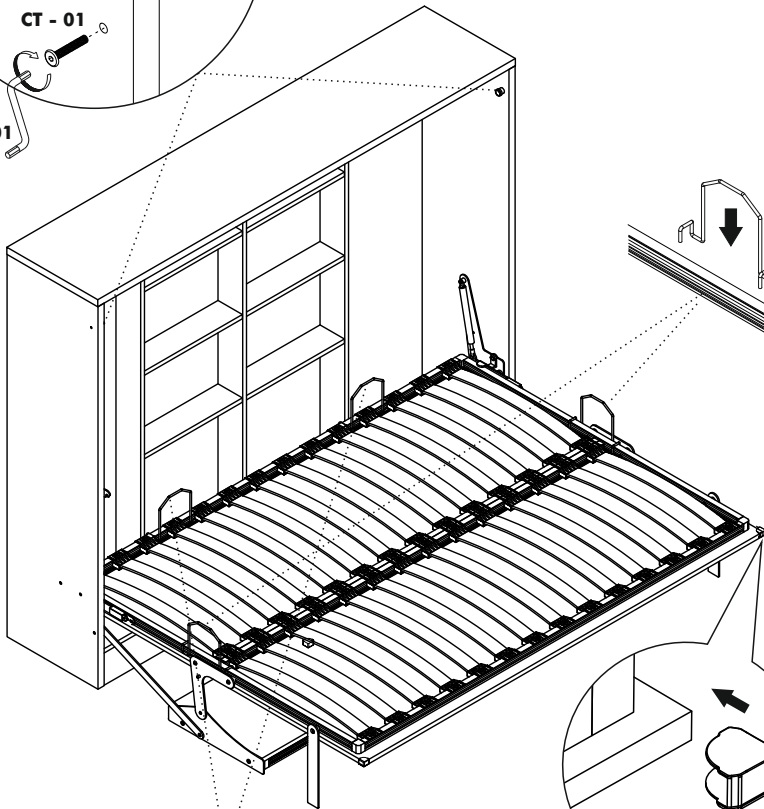
STEP 16



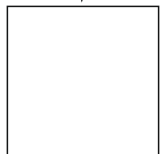
STEP 17



AL - 01

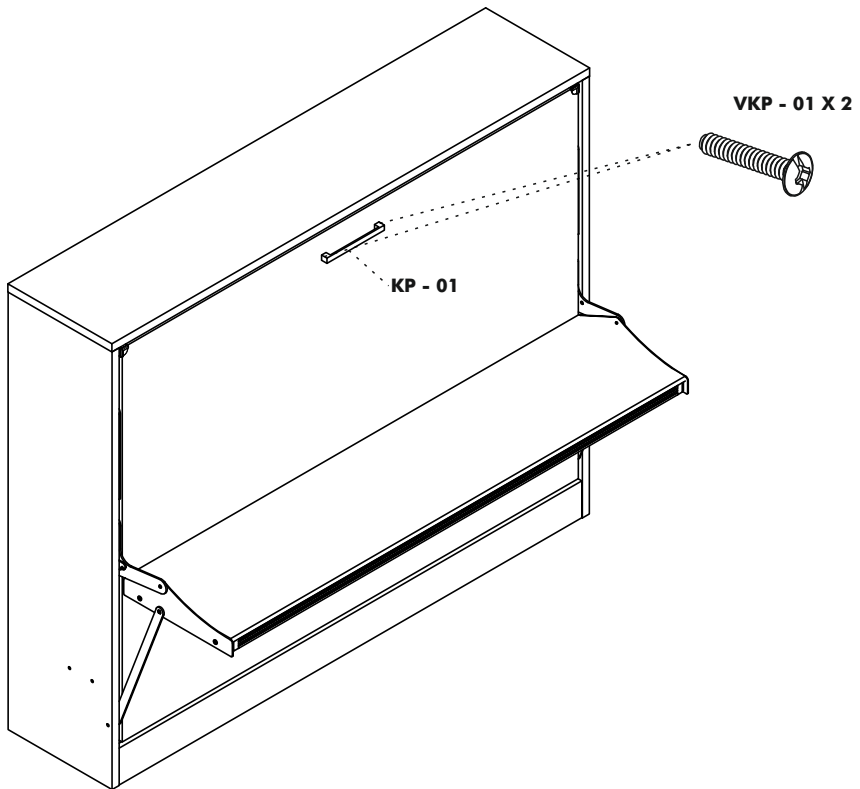


VIDEO

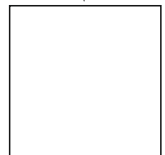


link

STEP 18

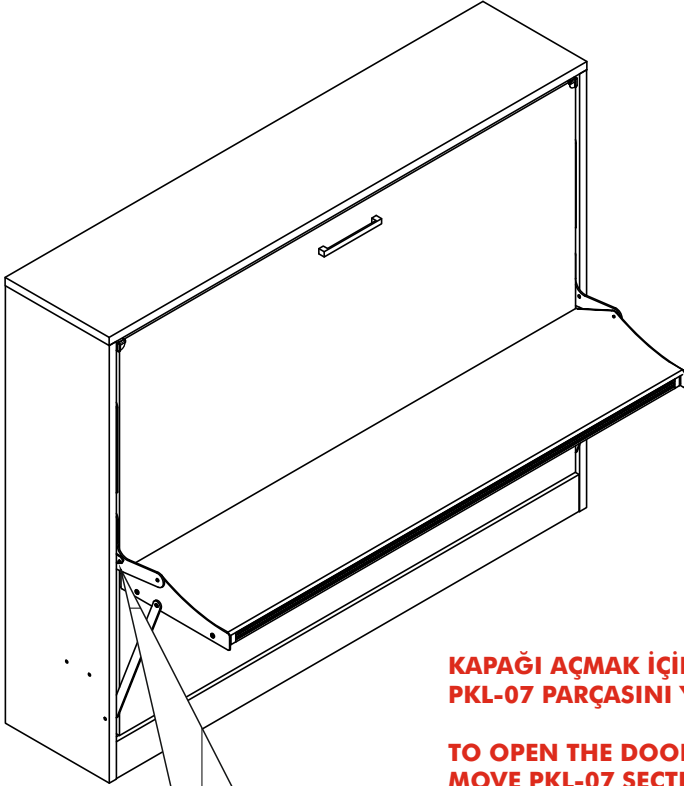


VIDEO



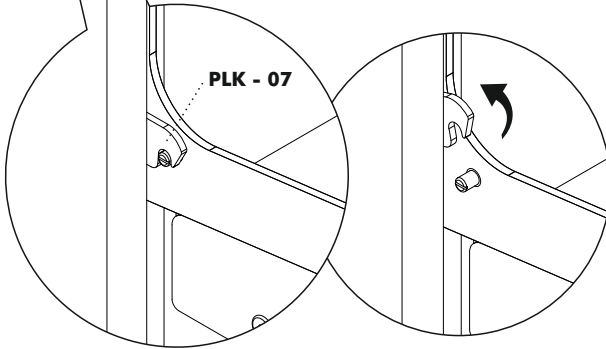
link

STEP 19



**KAPAĞI AÇMAK İÇİN
PKL-07 PARÇASINI YUKARIYA KALDIR**

**TO OPEN THE DOOR
MOVE PKL-07 SECTION UP**



VIDEO



link

ATTENTION / HOW TO / READ ME / OWNER'S GUIDE

1. When mounting on a regular drywall, furniture must be fastened to wood or metal studs. Solid walls made of brick, concrete or similar strong material are also acceptable. Do not mount furniture to paper-mache or sheet rock like material without properly affixing to stud.
2. For safety and product longevity you must periodically inspect the mounting and mechanical connections for integrity and tightness. Confirm hardware remains properly affixed and connections snug.
3. Wall Bed mattress thickness may not exceed 8 inch. Take care to remove pillows and excess blankets before closing. Doing so keeps mechanism free of obstruction and unnecessary stress.
4. Do not lean or rest heavy objects on side or top of furniture. This may cause balance issues and compromise the integrity of your mounting connections.
5. Please use the furniture's beds, desks and shelving as intended. Not designed to be sat, stood, leaned, jumped (etc) on. Improper use may cause personal injury and damage to property.
6. With seasonal humidity change you must inspect interior and exterior of furniture.
7. Single, Twin, Twin XL beds accommodate the weight of one person. Improperly sleeping more than one person risks injury to person and damage to property.
8. Before any un-mounting or disassembly please contact Multimo for technical support and instruction. Failure to properly detach risks injury to person and damage to property.
9. For Bunk Beds:
 - a. Always use provided ladder when accessing top bunk.
 - b. Be slow, careful and aware of surroundings when opening top bunk.
 - c. Do not horseplay. Beds are to be slept on only.
 - d. Some have legs that fully extend when open- be aware of where the leg is and will be.



MULTiMO

www.multimo.com